

www.anexgate.com

AG50+



All-in-one Unified Security Gateway

Threat Management

- Firewall
- Intrusion Detection & Prevention
- Gateway Level Anti-Virus

Persistent Connectivity

- Multi WAN Uplinks
- Auto Failover and Load balance
- Policy Based Routing
- 2G/3G/4G USB dongle support
- High Availability

Next Generation Appliance

- Gigabit Interface
- Powerful Firewall Engines
- Easy & User-Friendly GUI

Application Failover

- ILLB*
- DIP**

Secure Access

- PPTP VPN
- IPSec VPN
- Secure SSL VPN

Productivity Assurance

- Application Proxy (HTTP/HTTPS)
- Anti-Spam
- Web Content Filtering
- QoS/ Bandwidth Management
- Logging and real time monitoring

System parameters

Interfaces(Gigabit)	4/6
Concurrent Session	1,000,000
New Sessions /Second	40,000
Firewall Throughput(UDP)(Mbps)	4000
Firewall Throughput(TCP)(Mbps)	3500
Secure SSL Throughput (Mbps)	300
IPSec Throughput (Mbps)	400
GAV Throughput (Mbps)	900
UTM Throughput (Mbps)	750
IPS Throughput (Mbps)	750

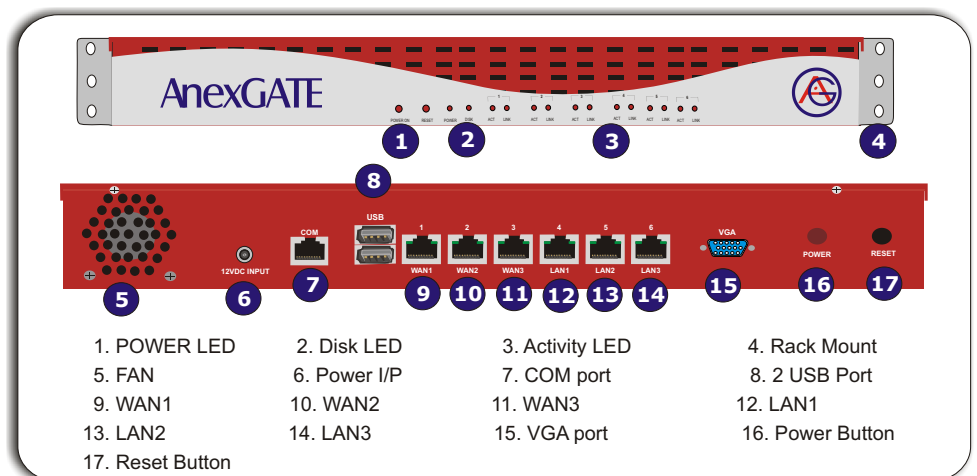
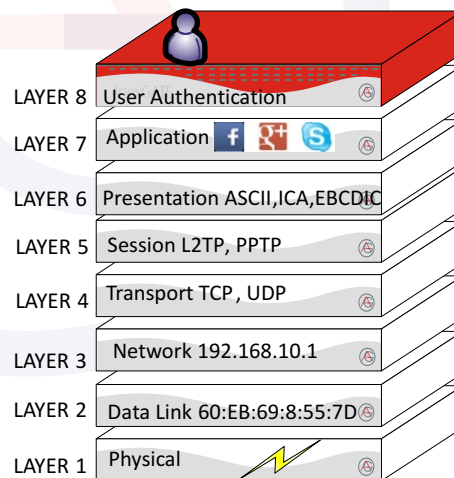
The AnexGATE AG50+ USG Appliance Provide Powerful, comprehensive protection and network reliability for SME's

Full Featured Gigabit Performance for Small and Medium Enterprise

The AnexGATE AG50+ Unified security Gateway (USG) APPLIANCE, Specifically designed for **Small and Medium Enterprises(SME's)**, the AnexGATE AG50+ provides Gigabit performance with all the features and tools available in High end appliances, but in a space-saving 1-RU rack-mountable unit and with a budget-friendly cost. After knowing that Small and medium businesses face similar threats and network demands as larger corporations, and thus should be protected with the same corporate-level of Internet security and unified threat management features, without paying the corporate-level price. AG50+ combines comprehensive firewall and unified threat management features into a single, dedicated appliance for total perimeter Internet security.

The AG50+ provides easy customization with advanced configuration options, Multi WAN support ,Auto failover and Load balancing, Policy Routing , Multi-VPN, Anti-virus , Anti-Spam , Web filtering , Intrusion Prevention System , Application proxy and Real Time & On the Appliance Extensive reporting . The AnexGATE AG50+ is the Only firewall which have ILLB and DIP feature in its class .

AnexGATE's Layer-8 Technology- Control of the user-based security policy



* Inbound Link Load Balance

** Drop in Placement for 100% uptime without modifying even a single IP in the LAN segment



Connectivity

Firewall

- ✓ Stateful Packet Inspection
- ✓ Zone-based access control list
- ✓ IP / Mac / Port based filtering
- ✓ Source NAT & NetMAP NAT
- ✓ Access scheduling
- ✓ MAC- IP – Interface Binding
- ✓ One to One NAT(DMZ)

Multi ISP Link & Load Balance

- ✓ Support for Multiple ISP (WAN)Uplinks
- ✓ 2G/3G/4G USB dongle support (WAN)
- ✓ Multi WAN auto failover / failback
- ✓ Multi WAN Load Balancing
- ✓ Packet loss and RTA based link quality failover
- ✓ Inbound Link Load Balance
- ✓ WRR Based Load Balance

Networking /Routing

- ✓ Routing Mode / Bridge (Transparent) Mode
- ✓ Policy routing based on Zone, IP and Port
- ✓ Static & Dynamic* routing
- ✓ Multicast Routing
- ✓ IP Passthrough with bypass firewall option
- ✓ VLAN support on both WAN & LAN
- ✓ Proxy ARP support on both WAN & LAN
- ✓ MAC address clone support on both WAN & LAN
- ✓ Virtual Interface(IP Alias)
- ✓ DHCP & DNS server support on per LAN & Zone based
- ✓ DDNS support per interface wise (WAN & VPN Interface)

Intrusion Detection and Prevention

- ✓ Protect over 2000 + attack
- ✓ Automatic signature updates
- ✓ Protocol anomaly detection and protection
- ✓ Traffic anomaly detection and protection
- ✓ Flooding detection and protection
- ✓ DoS/DDoS protection
- ✓ Support for custom rule upload

Gateway Antivirus

- ✓ Support Kaspersky* and ClamAV AntiVirus
- ✓ HTTP / FTP / SMTP / POP3 / IMAP4 protocol support
- ✓ Automatic Virus signature database update
- ✓ No file size limitation
- ✓ Blacklist / whitelist support
- ✓ Block by file/MIME types

Mail Security & Gateway Antispam

- ✓ Transparently intercept mail via SMTP/POP3
- ✓ Filter based on message header, size, sender, Recipient
- ✓ Blacklist/white list support
- ✓ RBL / CBL / SBL Lookup , MIME header check
- ✓ Bayesian filter
- ✓ Image-spam filtering
- ✓ Spam tag support

Security

Web Security

- ✓ Application proxy with Web cache
- ✓ Transparent Proxy (HTTP & HTTPS)
- ✓ Inbuilt Web Category Database
- ✓ Trusted Domains / URL / Wild Card Support
- ✓ Mime Type / File extension filter support
- ✓ Content Filtering based on Weighted Phrase
- ✓ Pornographic image blocking
- ✓ Force Safe search
- ✓ Custom category upload support
- ✓ Anti Malware Scanning of Web traffic
- ✓ Unlimited Policies & users creation
- ✓ Web Authentication
- ✓ Internal / External authentication servers support
- ✓ Group Based Web Access Policies
- ✓ Port control on web traffic
- ✓ Schedule-based Access control with Multi-Time Intervals
- ✓ User /Group identity Based Bandwidth Management
- ✓ Download & Upload Limit Control
- ✓ Private browsing support for management team
- ✓ Complete and detailed report on browsing including Connections details
- ✓ CIPA Compliant

IPSecVPN

- ✓ IPSec
- ✓ Encryption Algorithm - 3DES, AES
- ✓ Authentication Algorithm: SHA-1/MD5
- ✓ Support Key Exchange - IKE, Manual Key, PKI
- ✓ Perfect forward secrecy (DH Group 2,5)
- ✓ Dead Peer Detection support
- ✓ VPN Failover / Connection redundancy
- ✓ IPSec NAT Traversal
- ✓ Auto Reconnect VPN
- ✓ Interop with other IPSec devices
- ✓ FQDN support (Dynamic IP support)

Secure SSL

- ✓ On- Demand VPN Support
- ✓ TCP & UDP tunneling
- ✓ Key Management & Certification authority
- ✓ Encryption: 3DES, AES, BlowFish
- ✓ Message Integrity: SHA1
- ✓ Multi-layered Client Authentication
- ✓ Network access - Split and Full Tunnel Mode
- ✓ Granular access control based on IP & Port
- ✓ VPN client support for Windows, Linux & MAC OS
- ✓ High Availability support for VPN Servers

Traffic Management Quality of Service (QoS)

- ✓ Guaranteed bandwidth
- ✓ Maximum bandwidth
- ✓ Ingress traffic policing
- ✓ Priority-bandwidth utilization
- ✓ Differentiated Services stamping
- ✓ Preset File sharing rules

Productivity

System Management

- ✓ Three levels of users - Admin, Operator/Monitor Employee
- ✓ Admin User management to create user login with preset permission
- ✓ Multiple users login
- ✓ Web UI (HTTP and HTTPS)
- ✓ Command line interface (Console)
- ✓ Configuration Backup & Rollback
- ✓ Firmware upgrade via web GUI
- ✓ SNMP (v2)

High Availability

- ✓ Active-Passive mode
- ✓ Device failure detection and notification
- ✓ Heart Beat support
- ✓ Preempt mode support
- ✓ Link monitoring
- ✓ Auto-Sync configurations
- ✓ Based on IP Migration or Member of Tracker which includes WAN 3G/ 4G interface as well

Logging / Monitoring

- ✓ Comprehensive local logging / On-Appliance Reporting
- ✓ Email Alert - Multiple Mail Id
- ✓ Remote Syslog support
- ✓ Real-Time traffic monitoring by Live network Meter
- ✓ Built-in daily report
- ✓ Graphical Bandwidth Report (based on Time, Date, Week, Month)
- ✓ Exportable formats - PDF, Excel
- ✓ Network Tools- IPTraf , TCP Dump
- ✓ Security Reports for Suspicious Activities
- ✓ Graphical real-time and historical Monitoring
- ✓ Log Viewer - 20 different kinds of logs including System boot log, Firewall log, IDS/IPS, VPN, Web proxy logs, Antivirus/Antispam, HA log, System and Admin events, IM activities Log...
- ✓ Remote Management

Compliance

- ✓ CE
- ✓ FCC

Power

Input Voltage	AC 100-240 V
Consumption	30W
Total Heat Dissipation (BTU)	150

Environmental

Operating Temperature	0 - 45 °C
Storage Temperature	2 - 70 °C
Relative Humidity	10 to 90%
(Non condensing)	

Hardware Specification

Rack Mount	1U Platform
Memory	2 GB
Ethernet Port	4 / 6
Seamless upgrade	Yes
WAN Port Support	3
USB Port	2
Configurable LAN Segregation	4
Dimensions (mm)	44 * 425 * 260 (HxWxD)
Weight and color	~ 4.5 kgs & Red

More Solutions from AnexGATE

AnexGATE ACE

AnexGATE SECURE VPN

AnexGATE SSL VPN

AnexGATE DLP

AnexGATE BA

AnexGATE CLOUD

All specifications and photos are subject to change without notice

Testing Methodologies: UTM/Gateway AV/IPS throughput measured based on HTTP traffic as per RFC 3511 guidelines using industry Standard . Actual performance may vary depending on the network traffic environments and activated services.



Smile Security and Surveillance Pvt.Ltd.

For More Details Contact:

AnexGATE Network Security Solutions(A Division of SSSPL)
Smile Security and Surveillance Pvt. Ltd.(SSSPL)
#21/2, MRI Building, First Floor, 14KM, Old Madras Road, Bhattarahalli,
K.R Puram, Bangalore -560 049. (INDIA)
Tel : +91- 80- 25614 773/774/775/776 Fax: +91- 80- 25614666
Email: sales@anexgate.com Website: www.anexgate.com

